

UK Installation instructions

FI Asennusohje

LV Instalācijas instrukcija

DE Montageanleitung

FR Notice de montage

NO Monteringsanvisning

CZ Montážní návod

HU Szerelési útmutató

PL Instrukcja montażu

DK Monteringsvejledning

IT Istruzioni di montaggio

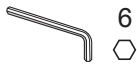
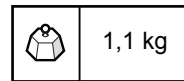
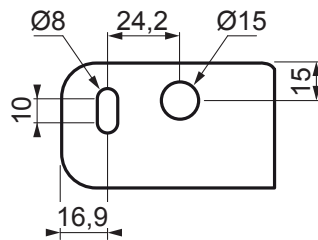
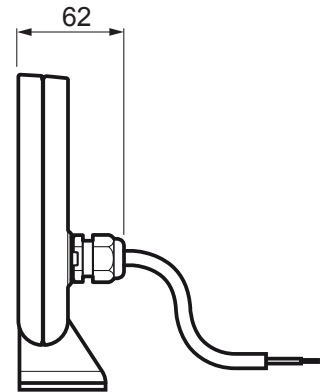
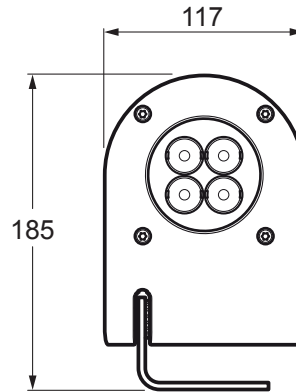
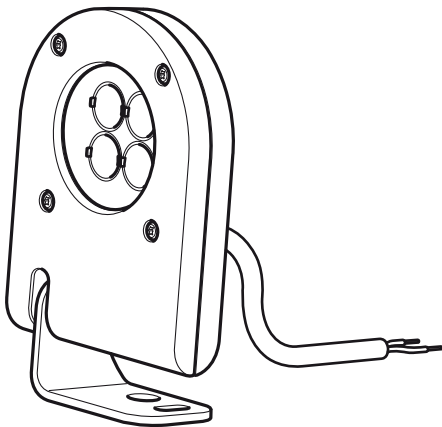
SE Installationsanvisning

EE Paigaldusjuhend

LT Montavimo Instrukcijos

RU ИНСТРУКЦИЯ ПО МОНТАЖУ

TYPE : CONTRAST 2 LED S



CLASS III

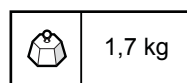
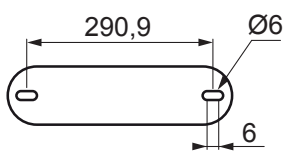
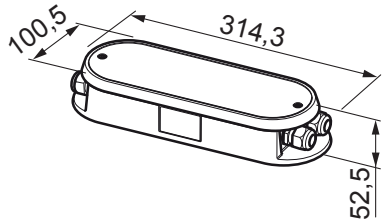
IP66

IK08

CE Ta 50 °C

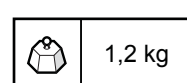
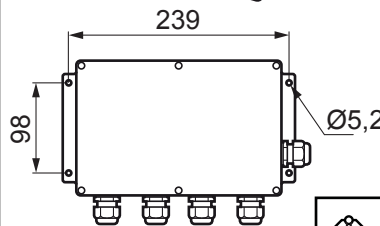
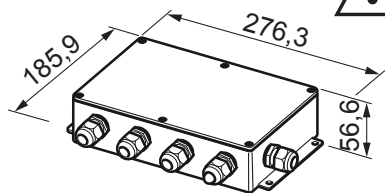
MONO x 1 / x 2

Ta 35 °C



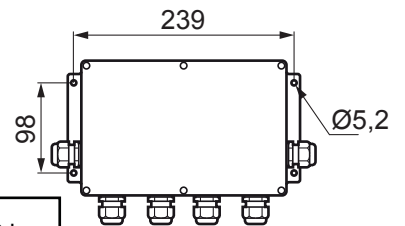
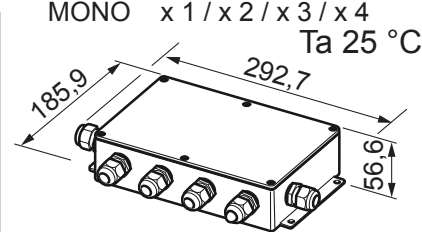
RGB

Ta 35 °C



MONO x 1 / x 2 / x 3 / x 4

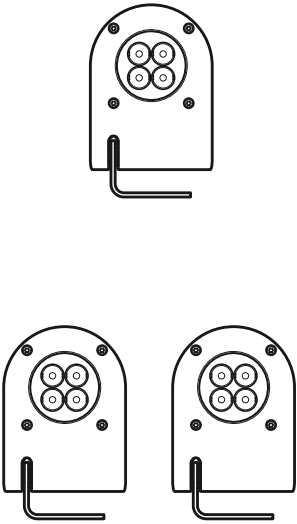
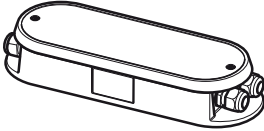
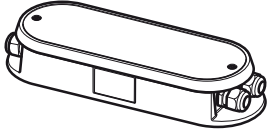
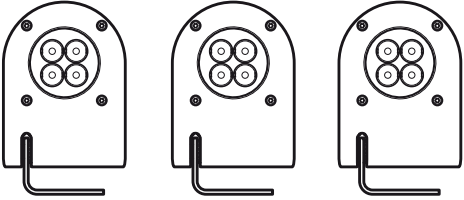
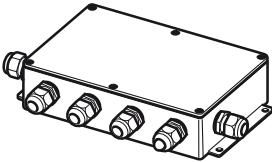
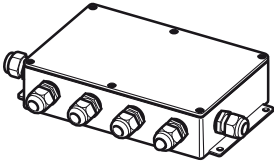
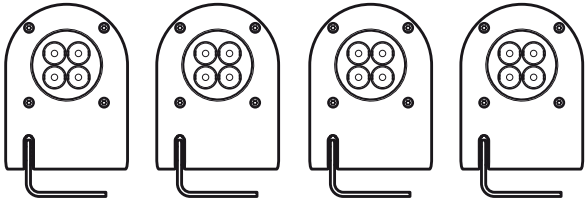
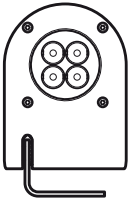
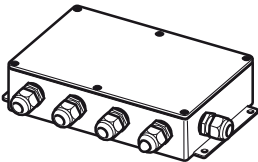
Ta 25 °C



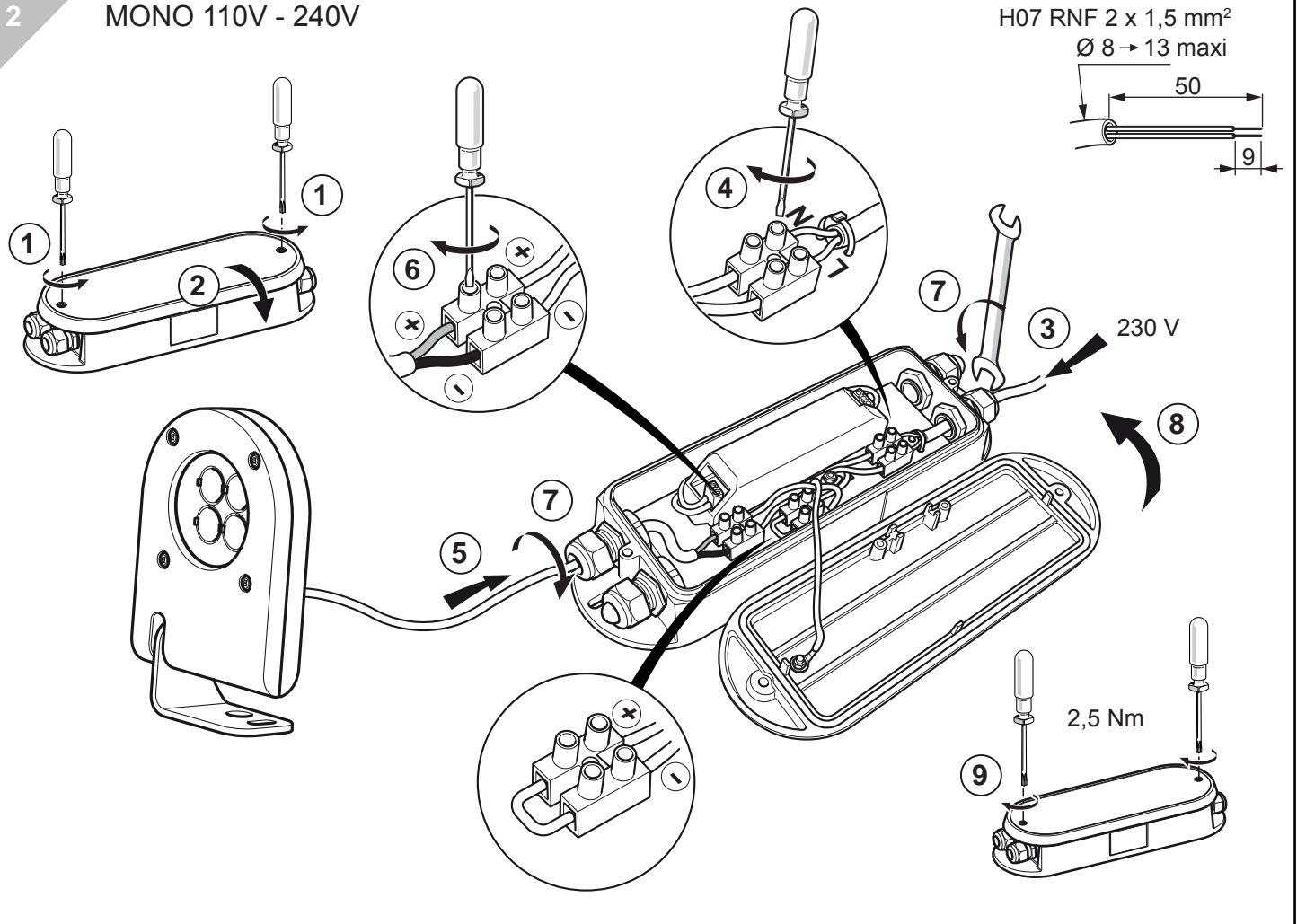
CLASS II

IP66

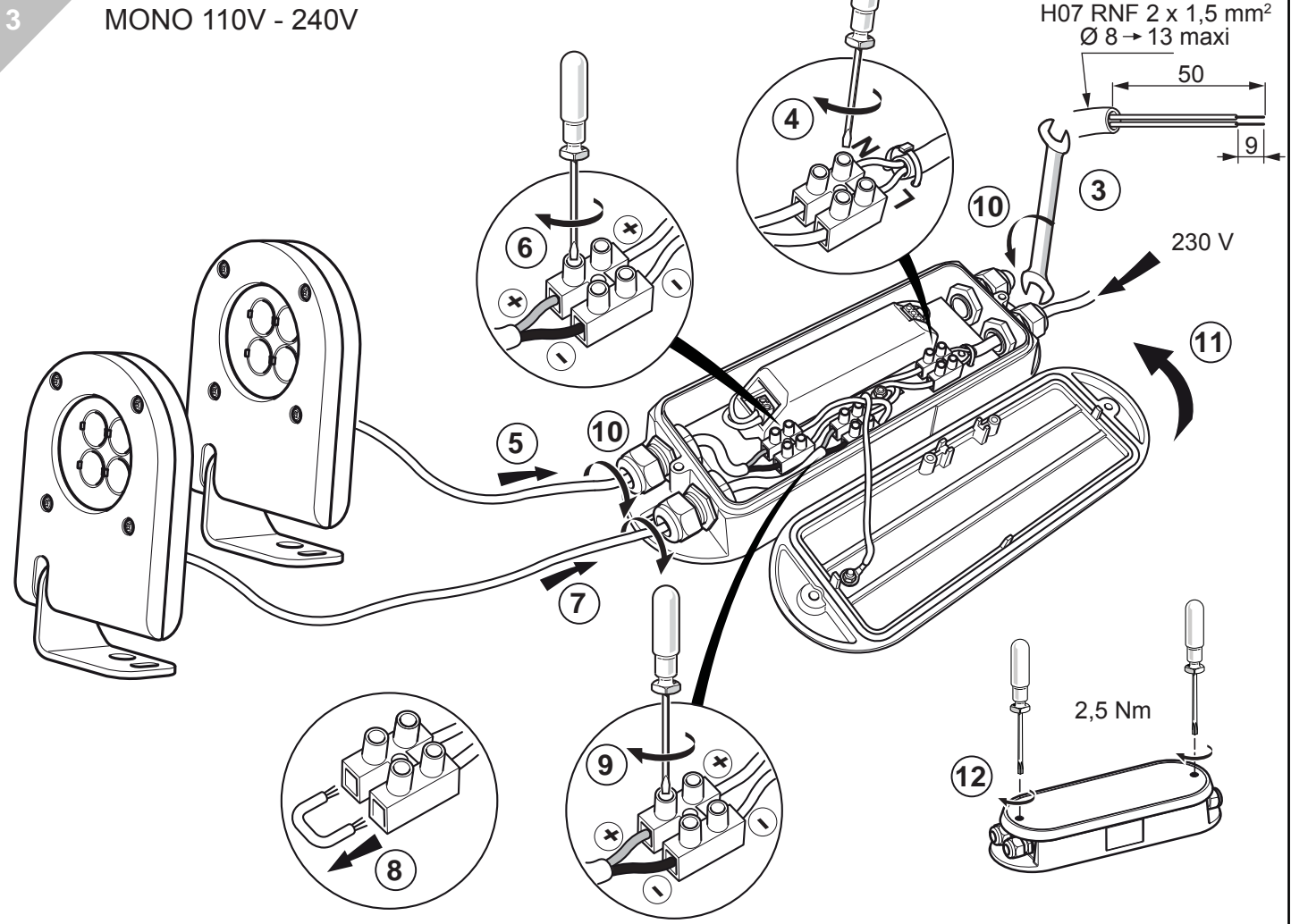
IK08 CE

<p>1</p>	<p>MONO</p>	<p>COLOUR 700 mA</p>	<p>WHITE 1A</p>
	 <p>Code : 96261898</p>	 <p>Code : 96261425</p>	
	 <p>Code : 96261899</p>	 <p>Code : 96261427</p>	
			
<p>RGB DMX</p>	<p>700 mA</p>		
	 <p>Code : 96261426</p>		

2 MONO 110V - 240V



3 MONO 110V - 240V



4

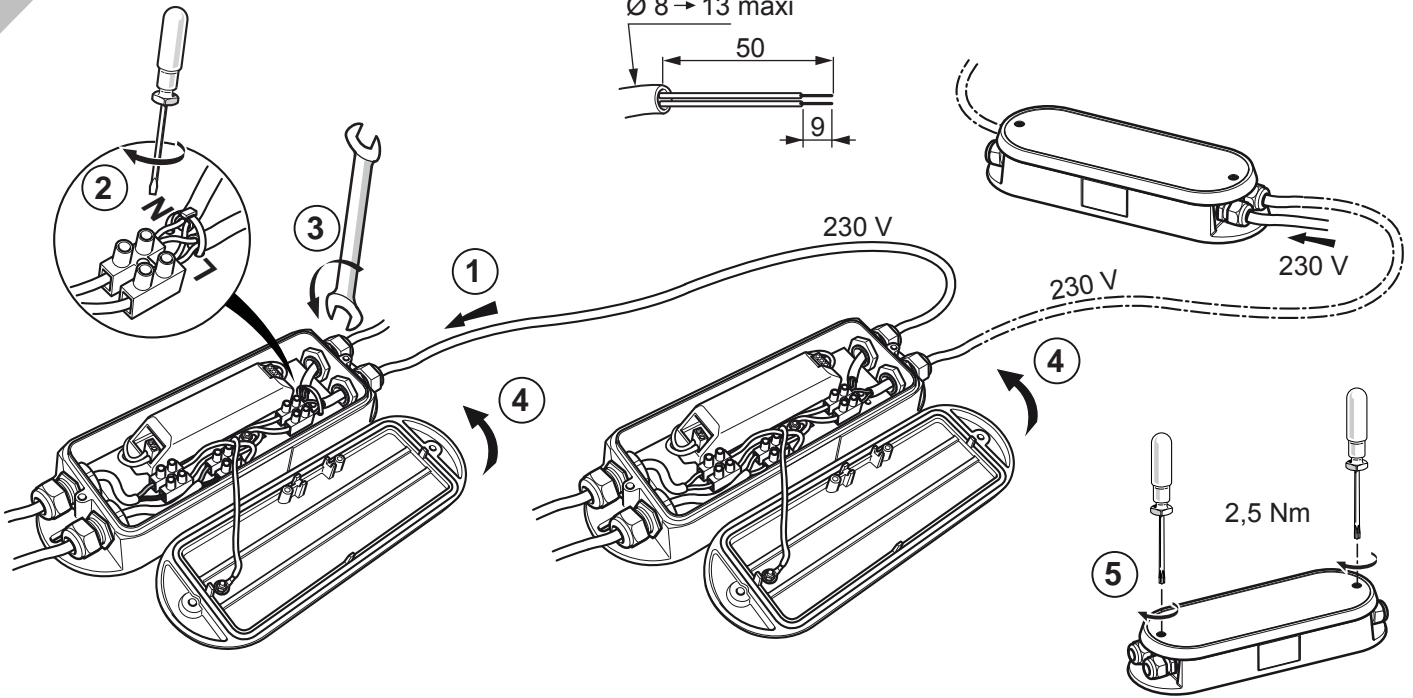
MONO 110V - 240V

H07 RNF 2 x 1,5 mm²

Ø 8 → 13 maxi

50

9



5

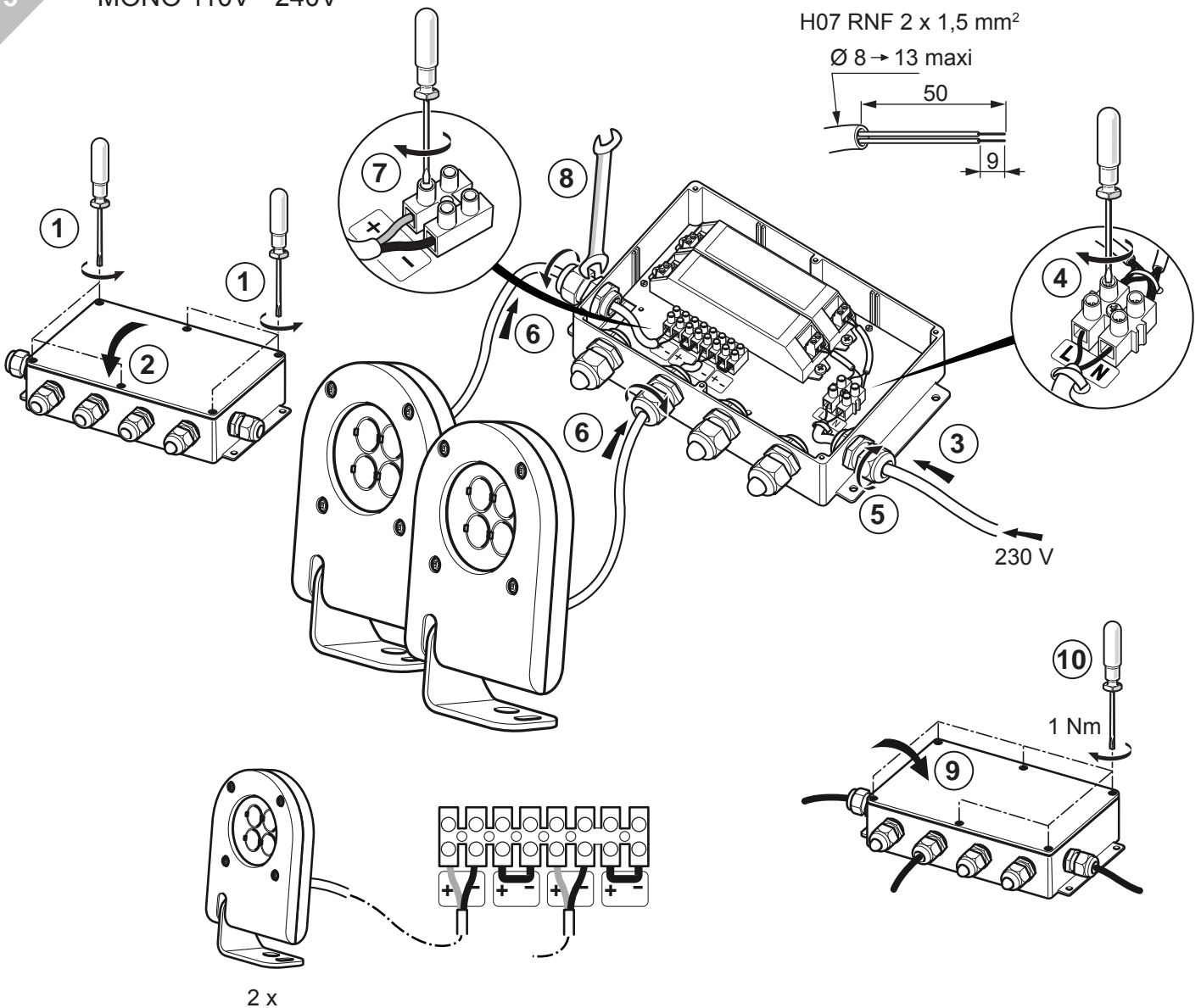
MONO 110V - 240V

H07 RNF 2 x 1,5 mm²

Ø 8 → 13 maxi

50

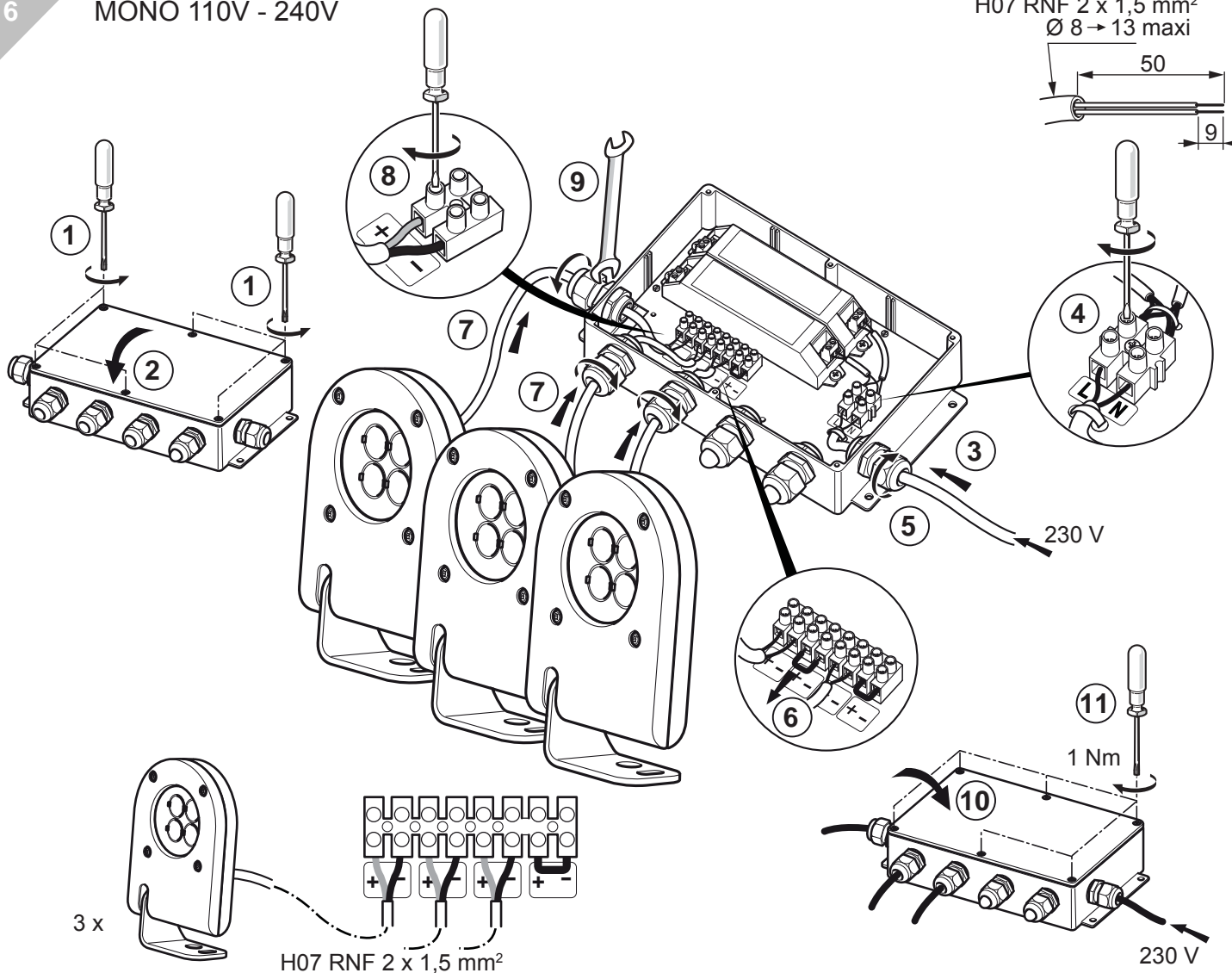
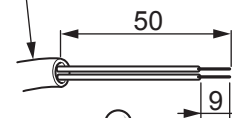
9



6

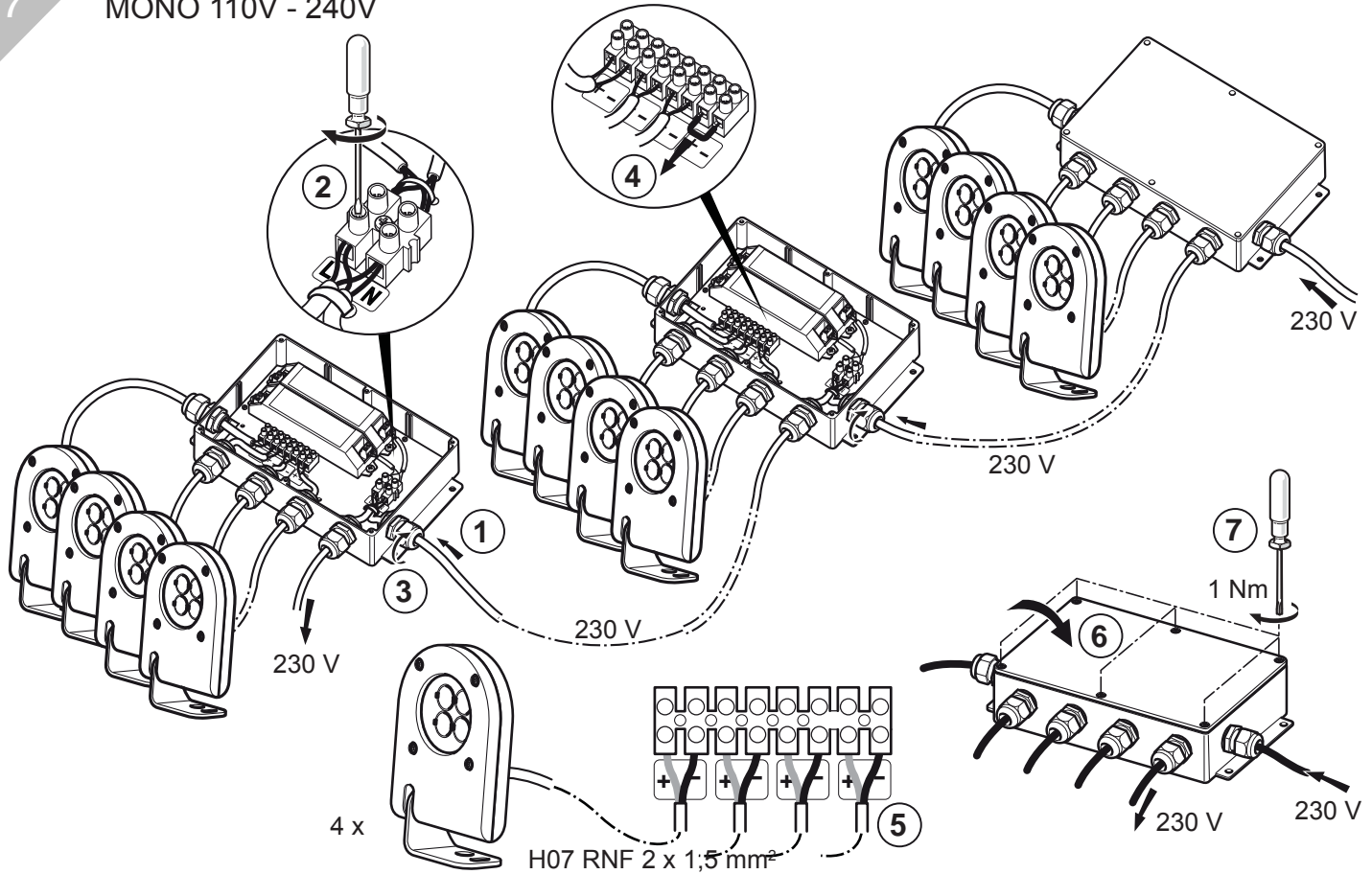
MONO 110V - 240V

H07 RNF 2 x 1,5 mm²
Ø 8 → 13 maxi



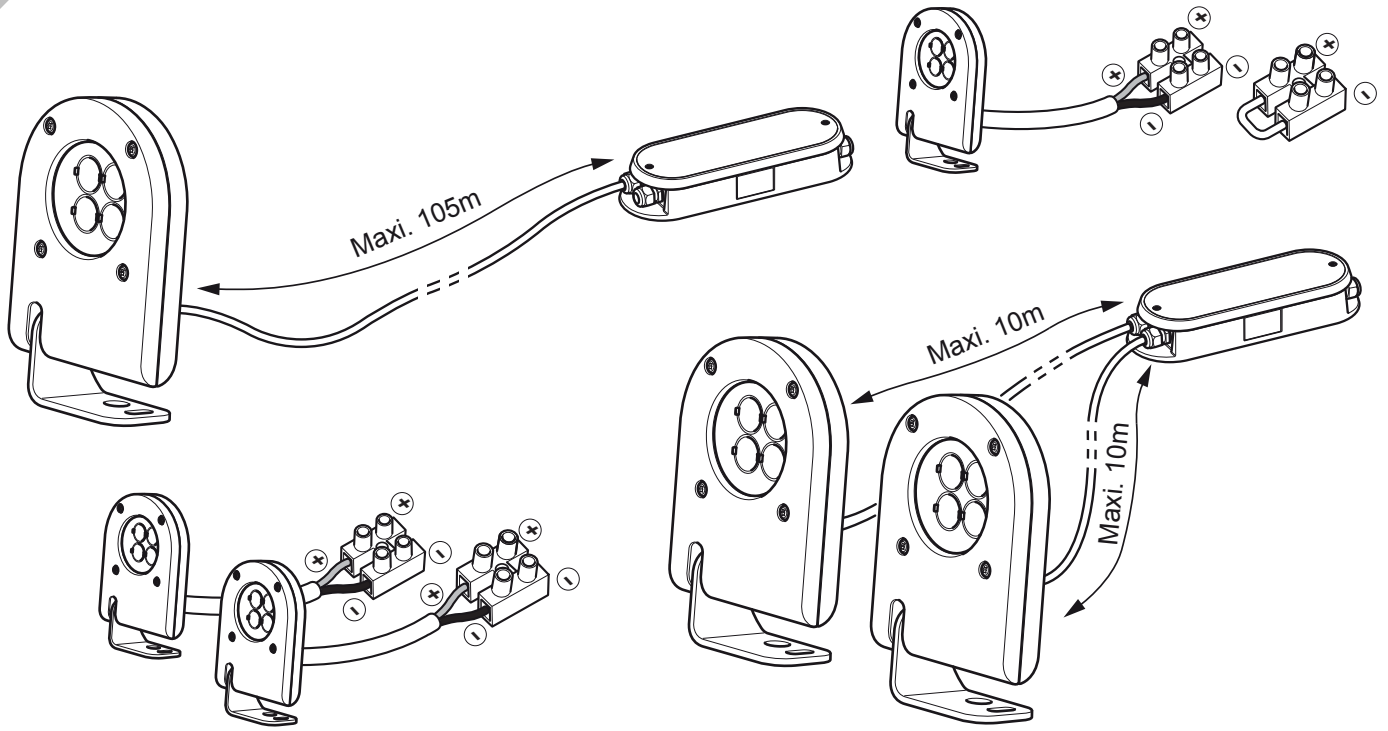
7

MONO 110V - 240V



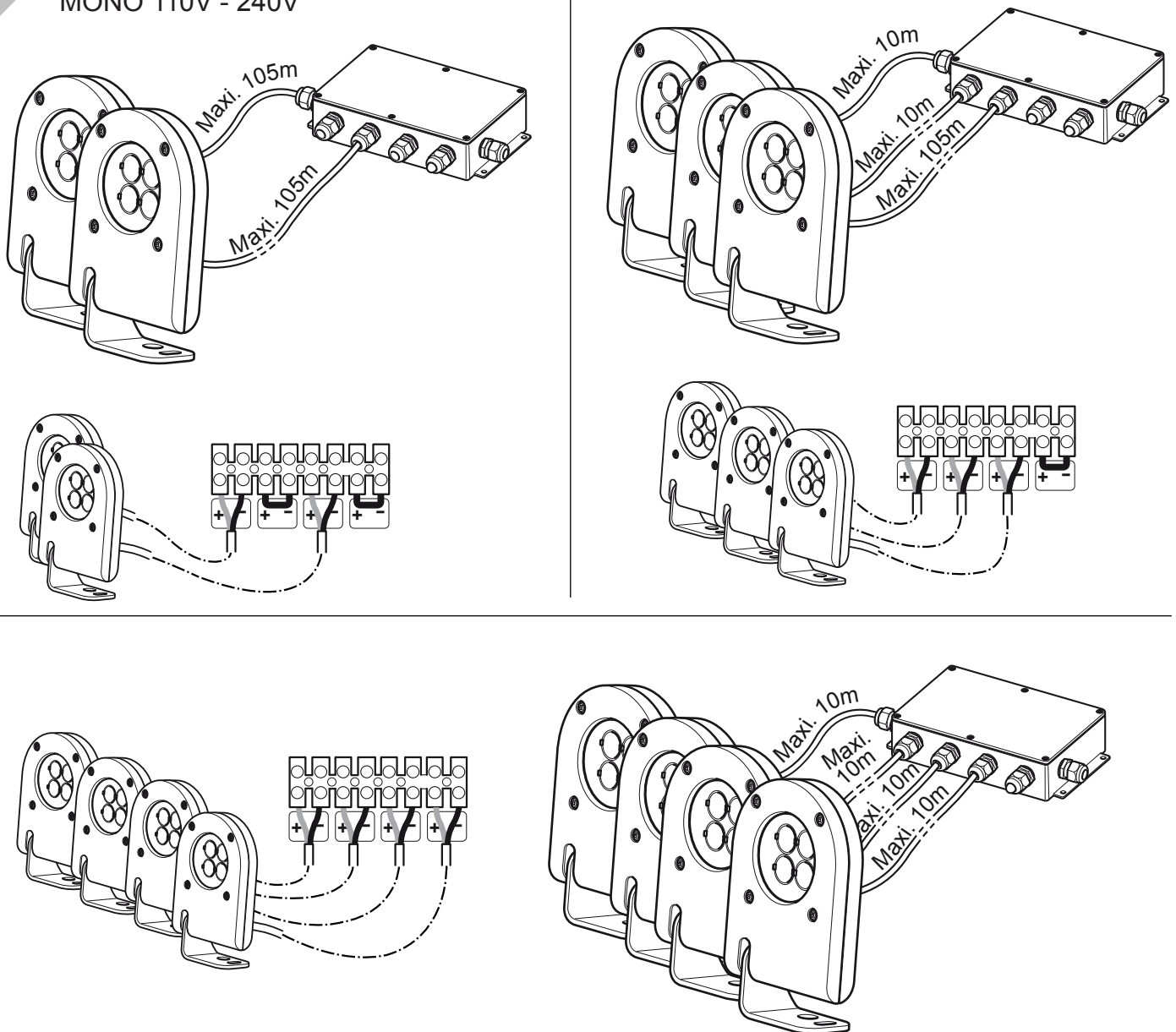
8

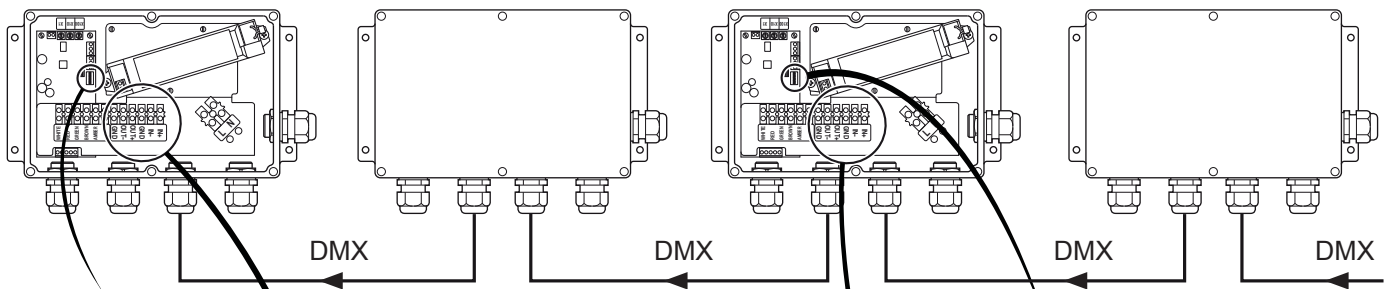
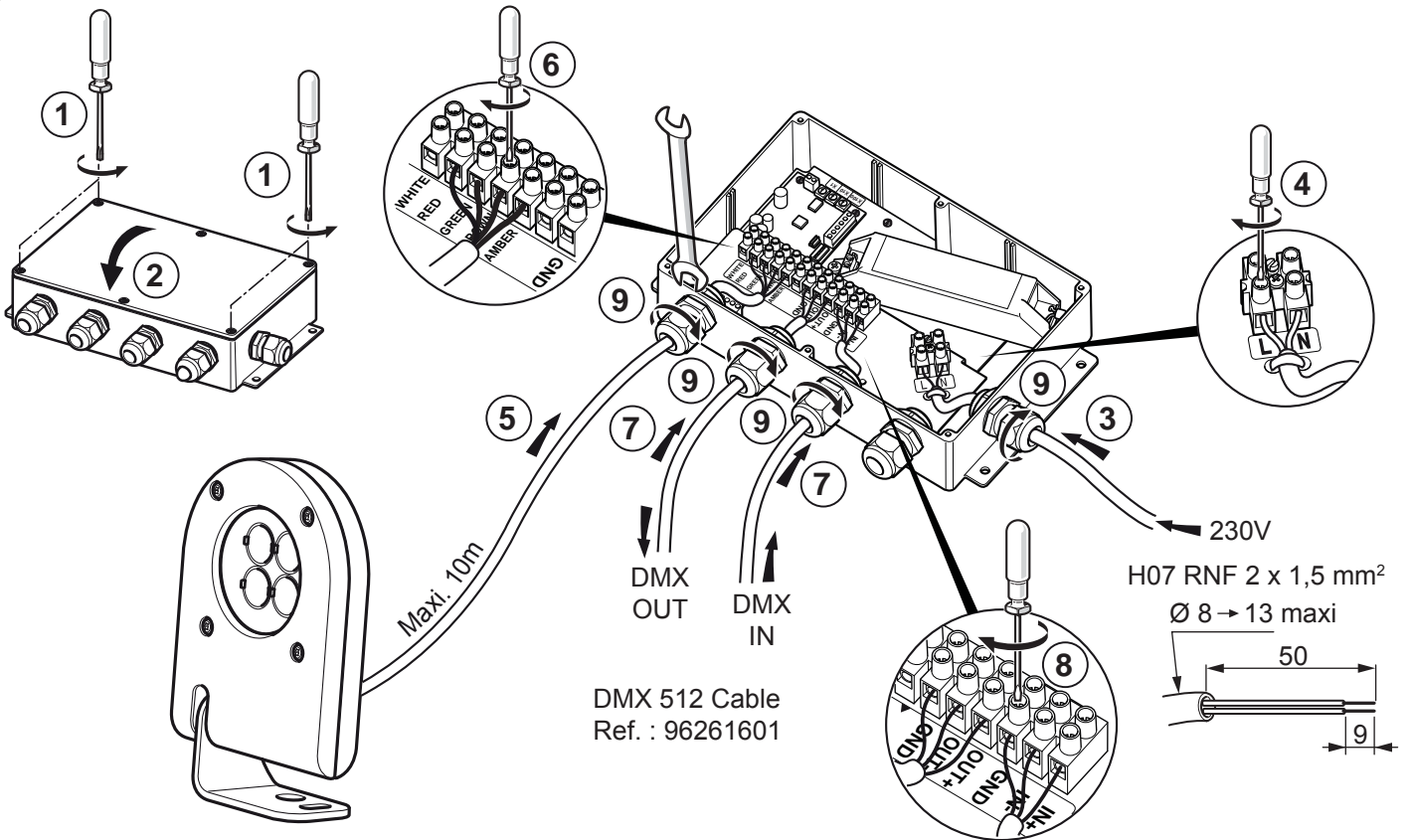
MONO 110V - 240V



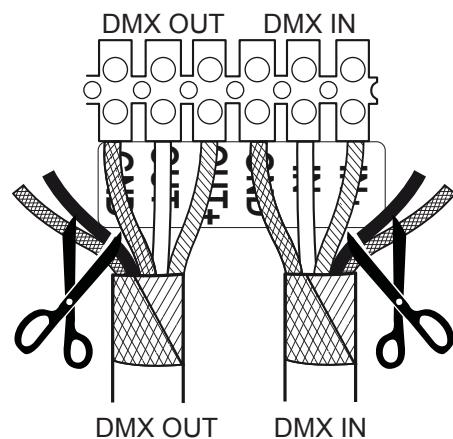
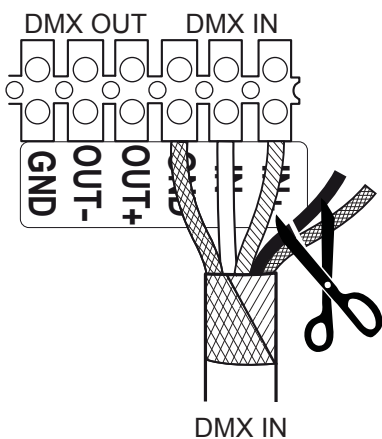
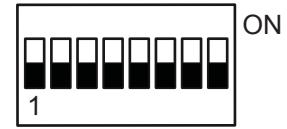
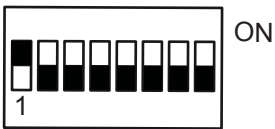
9

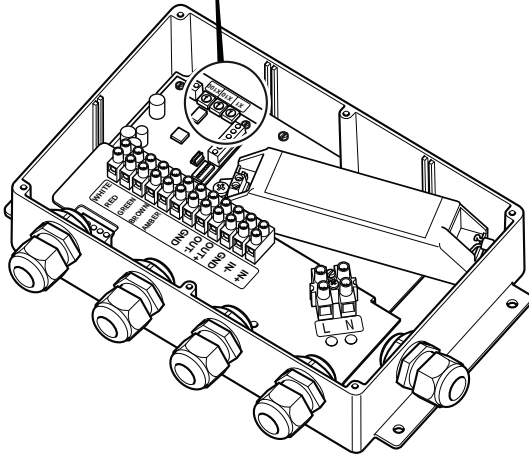
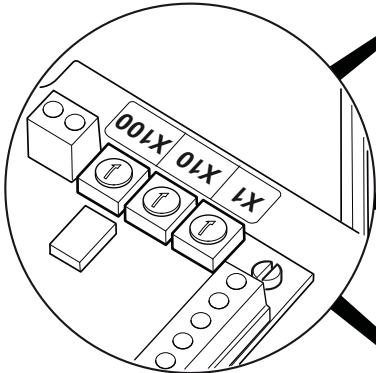
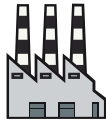
MONO 110V - 240V





Resistor 120 ohm





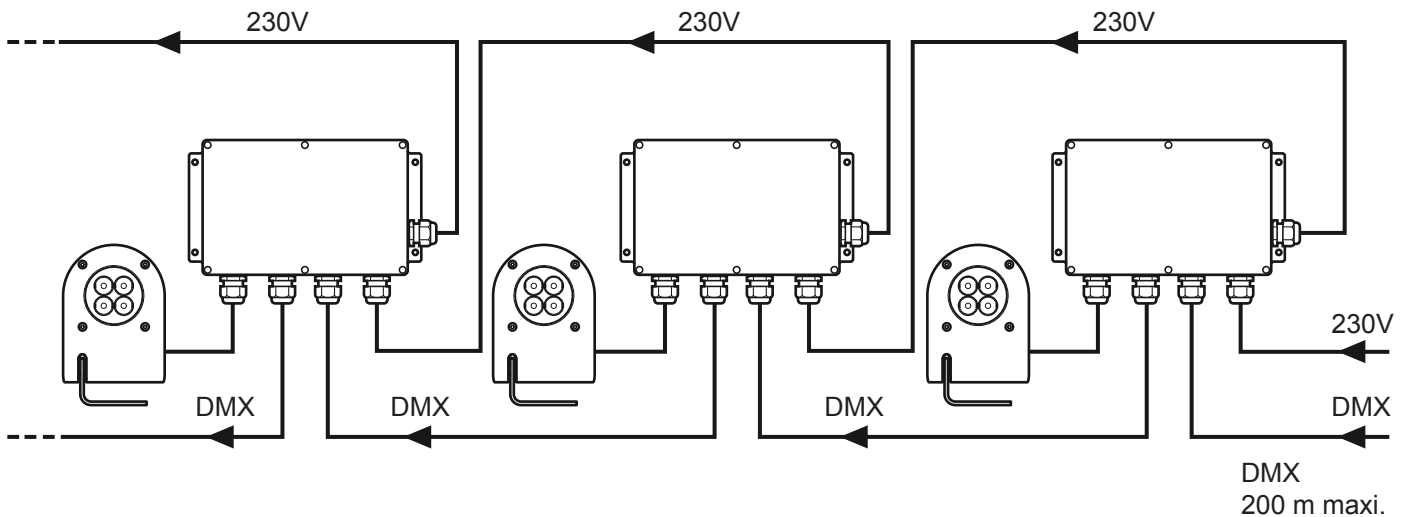
Address	100	10	1																										
	<table border="1"> <tr><td>1</td><td>2 3</td><td>4</td></tr> <tr><td>0</td><td>←</td><td>5</td></tr> <tr><td>9</td><td>8 7</td><td>6</td></tr> </table>	1	2 3	4	0	←	5	9	8 7	6	<table border="1"> <tr><td>1</td><td>2 3</td><td>4</td></tr> <tr><td>0</td><td>←</td><td>5</td></tr> <tr><td>9</td><td>8 7</td><td>6</td></tr> </table>	1	2 3	4	0	←	5	9	8 7	6	<table border="1"> <tr><td>1</td><td>2 3</td><td>4</td></tr> <tr><td>0</td><td>←</td><td>5</td></tr> <tr><td>9</td><td>8 7</td><td>6</td></tr> </table>	1	2 3	4	0	←	5	9	8 7
1	2 3	4																											
0	←	5																											
9	8 7	6																											
1	2 3	4																											
0	←	5																											
9	8 7	6																											
1	2 3	4																											
0	←	5																											
9	8 7	6																											
001	0 ←	0 ←	1 ↘																										

AUTOMATIC MODES

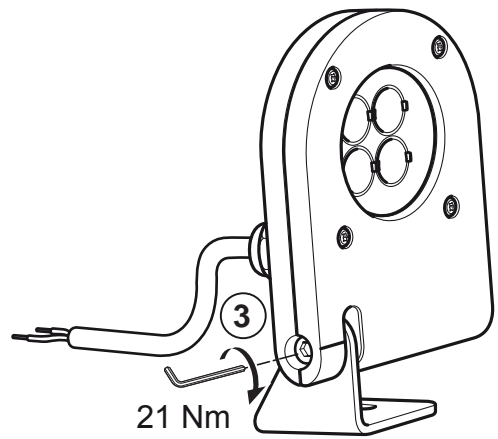
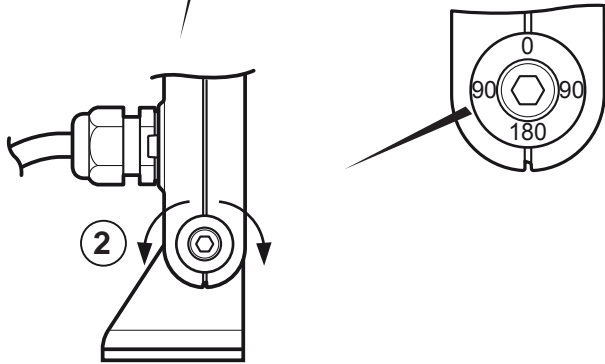
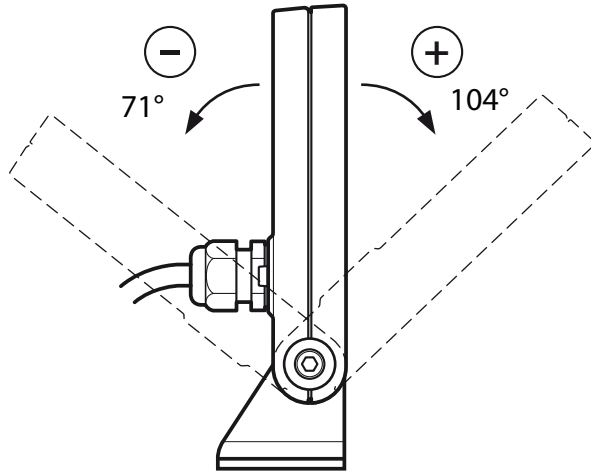
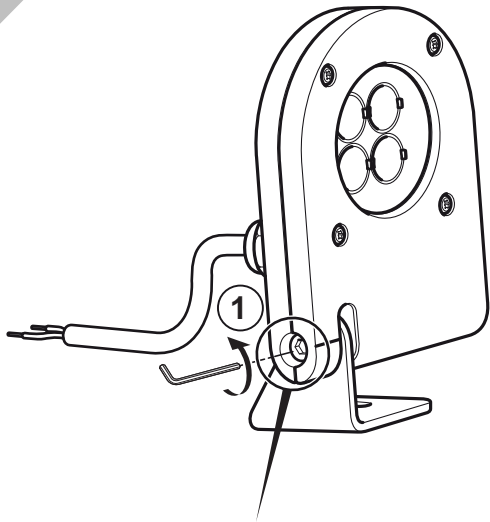
Mode	100	10	1																										
	<table border="1"> <tr><td>1</td><td>2 3</td><td>4</td></tr> <tr><td>0</td><td>←</td><td>5</td></tr> <tr><td>9</td><td>8 7</td><td>6</td></tr> </table>	1	2 3	4	0	←	5	9	8 7	6	<table border="1"> <tr><td>1</td><td>2 3</td><td>4</td></tr> <tr><td>0</td><td>←</td><td>5</td></tr> <tr><td>9</td><td>8 7</td><td>6</td></tr> </table>	1	2 3	4	0	←	5	9	8 7	6	<table border="1"> <tr><td>1</td><td>2 3</td><td>4</td></tr> <tr><td>0</td><td>←</td><td>5</td></tr> <tr><td>9</td><td>8 7</td><td>6</td></tr> </table>	1	2 3	4	0	←	5	9	8 7
1	2 3	4																											
0	←	5																											
9	8 7	6																											
1	2 3	4																											
0	←	5																											
9	8 7	6																											
1	2 3	4																											
0	←	5																											
9	8 7	6																											
Test	0	0	0																										
Rainbow RGB	6	1	<table border="1"> <tr><td>0 →</td><td>9</td></tr> <tr><td>🚲</td><td>🚗</td></tr> </table>	0 →	9	🚲	🚗																						
0 →	9																												
🚲	🚗																												
Pastel	6	2																											
Warm	6	3																											
Cold	6	4																											
Rainbow RGBW	6	5																											
Shiny	6	6																											

DMX ADDRESS EXAMPLE

Address	100	10	1																											
	<table border="1"> <tr><td>1</td><td>2 3</td><td>4</td></tr> <tr><td>0</td><td>←</td><td>5</td></tr> <tr><td>9</td><td>8 7</td><td>6</td></tr> </table>	1	2 3	4	0	←	5	9	8 7	6	<table border="1"> <tr><td>1</td><td>2 3</td><td>4</td></tr> <tr><td>0</td><td>←</td><td>5</td></tr> <tr><td>9</td><td>8 7</td><td>6</td></tr> </table>	1	2 3	4	0	←	5	9	8 7	6	<table border="1"> <tr><td>1</td><td>2 3</td><td>4</td></tr> <tr><td>0</td><td>←</td><td>5</td></tr> <tr><td>9</td><td>8 7</td><td>6</td></tr> </table>	1	2 3	4	0	←	5	9	8 7	6
1	2 3	4																												
0	←	5																												
9	8 7	6																												
1	2 3	4																												
0	←	5																												
9	8 7	6																												
1	2 3	4																												
0	←	5																												
9	8 7	6																												
059	<table border="1"> <tr><td>1</td><td>2 3</td><td>4</td></tr> <tr><td>0</td><td>←</td><td>5</td></tr> <tr><td>9</td><td>8 7</td><td>6</td></tr> </table>	1	2 3	4	0	←	5	9	8 7	6	<table border="1"> <tr><td>1</td><td>2 3</td><td>4</td></tr> <tr><td>0</td><td>→</td><td>5</td></tr> <tr><td>9</td><td>8 7</td><td>6</td></tr> </table>	1	2 3	4	0	→	5	9	8 7	6	<table border="1"> <tr><td>1</td><td>2 3</td><td>4</td></tr> <tr><td>0</td><td>↘</td><td>5</td></tr> <tr><td>9</td><td>8 7</td><td>6</td></tr> </table>	1	2 3	4	0	↘	5	9	8 7	6
1	2 3	4																												
0	←	5																												
9	8 7	6																												
1	2 3	4																												
0	→	5																												
9	8 7	6																												
1	2 3	4																												
0	↘	5																												
9	8 7	6																												
099	<table border="1"> <tr><td>1</td><td>2 3</td><td>4</td></tr> <tr><td>0</td><td>←</td><td>5</td></tr> <tr><td>9</td><td>8 7</td><td>6</td></tr> </table>	1	2 3	4	0	←	5	9	8 7	6	<table border="1"> <tr><td>1</td><td>2 3</td><td>4</td></tr> <tr><td>0</td><td>↘</td><td>5</td></tr> <tr><td>9</td><td>8 7</td><td>6</td></tr> </table>	1	2 3	4	0	↘	5	9	8 7	6	<table border="1"> <tr><td>1</td><td>2 3</td><td>4</td></tr> <tr><td>0</td><td>↘</td><td>5</td></tr> <tr><td>9</td><td>8 7</td><td>6</td></tr> </table>	1	2 3	4	0	↘	5	9	8 7	6
1	2 3	4																												
0	←	5																												
9	8 7	6																												
1	2 3	4																												
0	↘	5																												
9	8 7	6																												
1	2 3	4																												
0	↘	5																												
9	8 7	6																												
126	<table border="1"> <tr><td>1</td><td>2 3</td><td>4</td></tr> <tr><td>0</td><td>↘</td><td>5</td></tr> <tr><td>9</td><td>8 7</td><td>6</td></tr> </table>	1	2 3	4	0	↘	5	9	8 7	6	<table border="1"> <tr><td>1</td><td>2 3</td><td>4</td></tr> <tr><td>0</td><td>↘</td><td>5</td></tr> <tr><td>9</td><td>8 7</td><td>6</td></tr> </table>	1	2 3	4	0	↘	5	9	8 7	6	<table border="1"> <tr><td>1</td><td>2 3</td><td>4</td></tr> <tr><td>0</td><td>↘</td><td>5</td></tr> <tr><td>9</td><td>8 7</td><td>6</td></tr> </table>	1	2 3	4	0	↘	5	9	8 7	6
1	2 3	4																												
0	↘	5																												
9	8 7	6																												
1	2 3	4																												
0	↘	5																												
9	8 7	6																												
1	2 3	4																												
0	↘	5																												
9	8 7	6																												
154	<table border="1"> <tr><td>1</td><td>2 3</td><td>4</td></tr> <tr><td>0</td><td>↘</td><td>5</td></tr> <tr><td>9</td><td>8 7</td><td>6</td></tr> </table>	1	2 3	4	0	↘	5	9	8 7	6	<table border="1"> <tr><td>1</td><td>2 3</td><td>4</td></tr> <tr><td>0</td><td>→</td><td>5</td></tr> <tr><td>9</td><td>8 7</td><td>6</td></tr> </table>	1	2 3	4	0	→	5	9	8 7	6	<table border="1"> <tr><td>1</td><td>2 3</td><td>4</td></tr> <tr><td>0</td><td>↘</td><td>5</td></tr> <tr><td>9</td><td>8 7</td><td>6</td></tr> </table>	1	2 3	4	0	↘	5	9	8 7	6
1	2 3	4																												
0	↘	5																												
9	8 7	6																												
1	2 3	4																												
0	→	5																												
9	8 7	6																												
1	2 3	4																												
0	↘	5																												
9	8 7	6																												

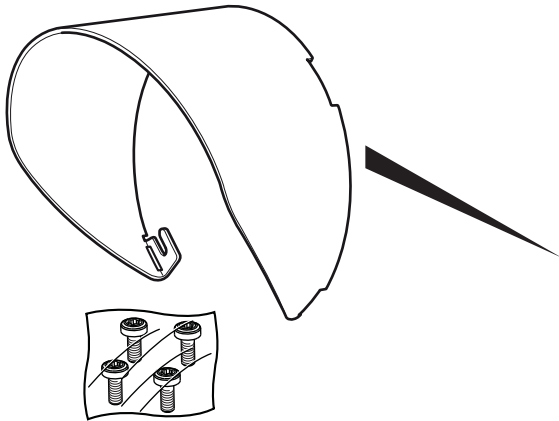


12



13

Code : 96261859



Code : 96261860

Code : 96261861

Code : 96261862

