

SENSA DMX SPLITTER x4

SAP code 96261602

4 output DMX splitter for DIN rail mounting

Class III	CE				
-----------	----	--	--	--	--



Presentation

DMX splitter with protective canopy and 4 DMX active outputs and 1 passive output, for DIN rail mounting

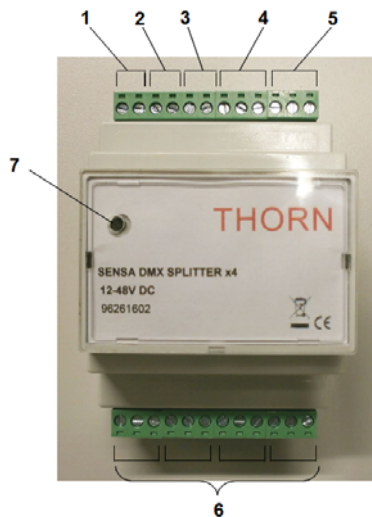
DMX 512 splitter to be mounted on a DIN rail, either in conjunction with the Sensa DMX Kit or inside the Sensa DMX Controller box. The splitter provides preventive protection of the DMX Controller used in outdoor installation. It also enables the extension of DMX networks both in distances and number of luminaires.

Design notes

The Sensa DMX splitter has several functions:

- it is recommended to install the splitter as a protection for the DMX Controller against electrical problems that may occur on the network with the luminaires (upsurges, etc),
- the splitter's 4 isolated outputs enables the distribution of the DMX signal on 4 independent sub-networks,
- the splitter can be used as a signal repeater for distances exceeding 200m,
- the splitter increases the number of luminaires that are connected to one DMX bus, ie up to 32 on each output,
- the 'DMX thru' output repeats passively the DMX signal and can be used to connect an additional splitter in order to increase the overall number of outputs. In that case, the 120 ohm resistor on the product is not needed.

Product features

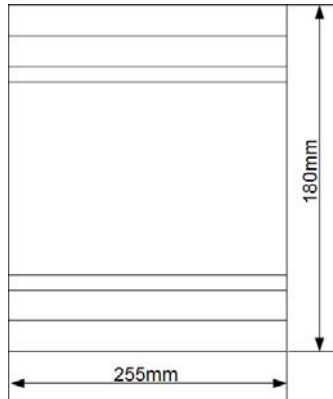


1	Ground
2	+ 5V DC
3	Earth
4	DMX input
5	DMX passive input
6	DMX outputs
7	LED indicator for power on (fix), LED indicator for DMX on (blinking)

SENSA DMX SPLITTER x4
SAP code 96261602
4 output DMX splitter for DIN rail mounting

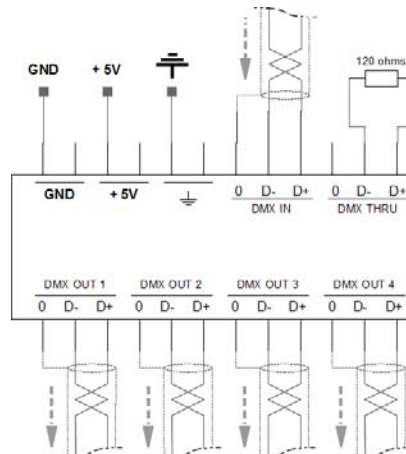
Class III	CE				
-----------	----	--	--	--	--

Technical features

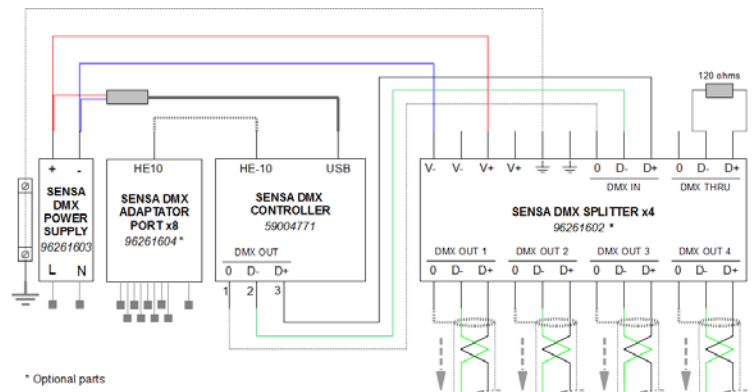
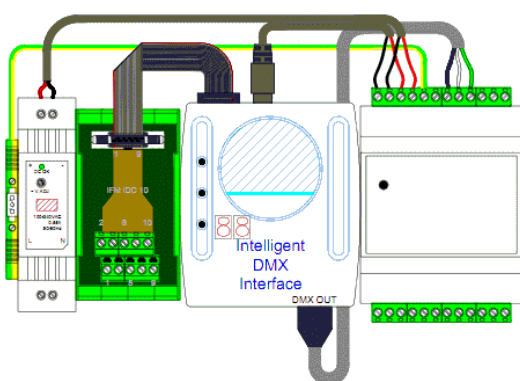


Voltage supply	5V DC Required : SENSA DMX POWER SUPPLY (96261603), not supplied
DMX 512 ports	1 input, 1 passive copy, 4 outputs
LED indicators	LED indicator for power on (fix), LED indicator for DMX on (blinking)
Connections	Screw connectors 2,5 mm ² maxi
Dimensions	103 x 68 x 59 mm
Weight	136 g
Operating temperature	-20 to 40 °C

Wiring scheme



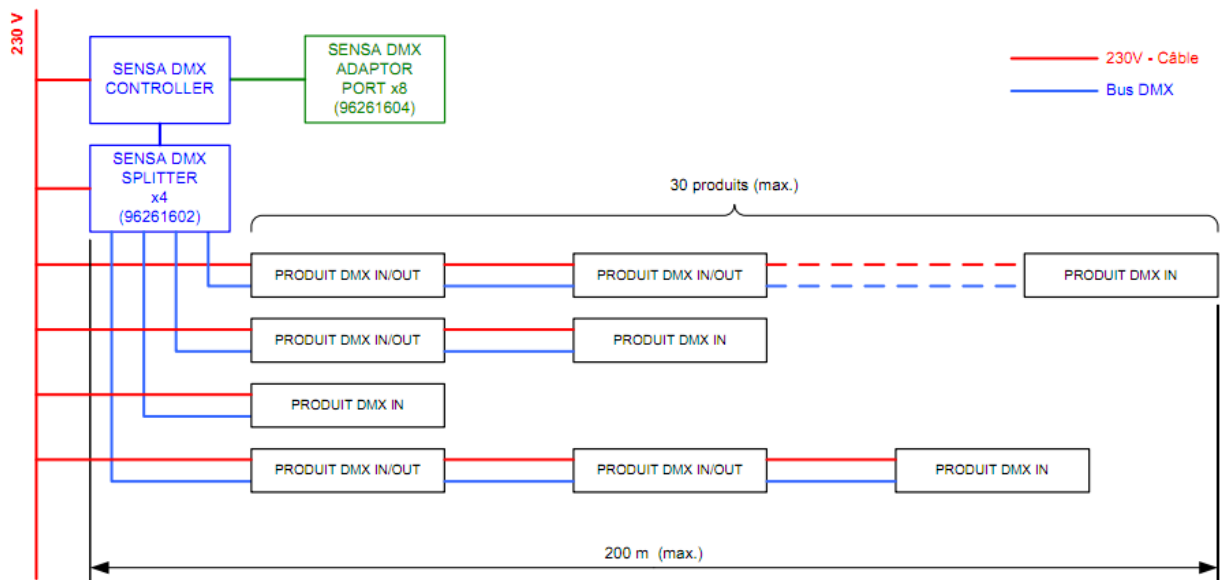
Cabling (Sensa DMX Adaptor port x8 shown, optional)



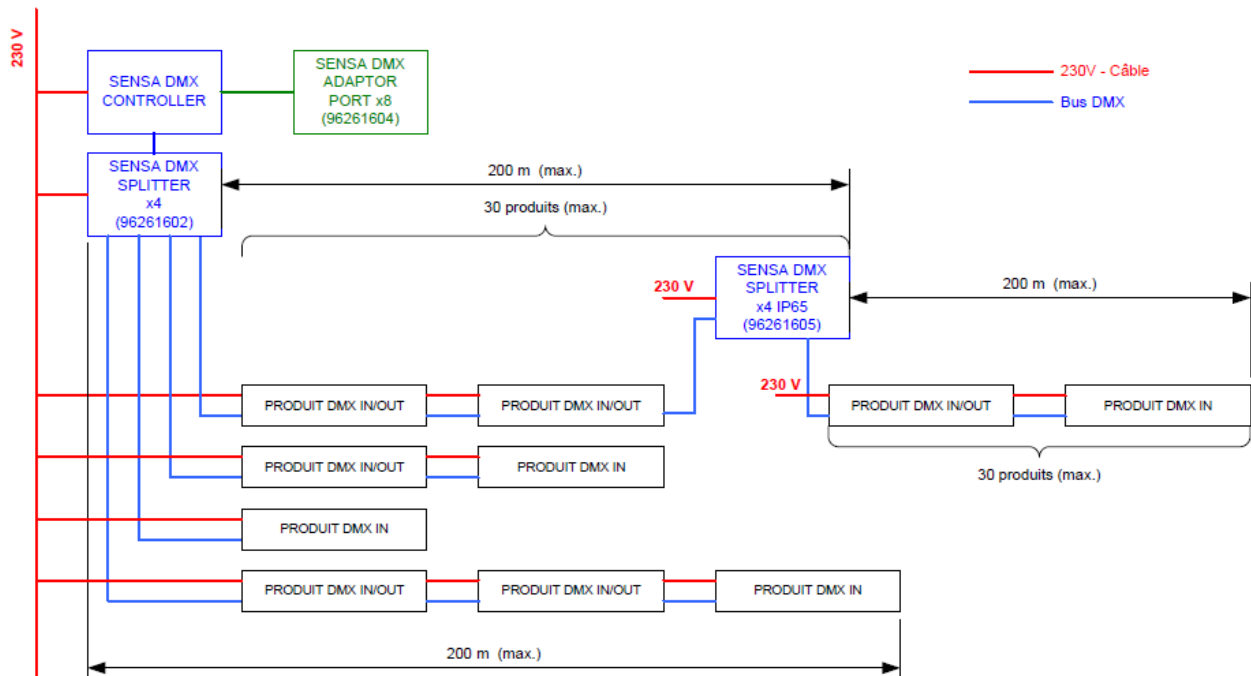
SENSA DMX SPLITTER x4
SAP code 96261602
4 output DMX splitter for DIN rail mounting

Class III	CE				
-----------	----	--	--	--	--

Installation structure 1 : splitter alone



Installation structure 2 : splitters in cascade



Class III	CE					
-----------	----	--	--	--	--	--

Warnings

- Do not place the SENSE DMX CONTROLLER KIT on instable surfaces
- Do not position the SENSE DMX CONTROLLER KIT in places where a risk of walking or tripping on cables may occur
- Protect from direct sun exposure, heating devices, rain, humidity, dust, liquids, magnetic fields
- Operating temperatures: 0°C to +40°C
- Do not use the SENSE DMX CONTROLLER KIT during thunder storm
- Do not connect the SENSE DMX CONTROLLER KIT when it is powered
- Do not use damaged cables or accessories with the SENSE DMX CONTROLLER KIT
- Do not undertake maintenance operations as it may cancel the warranty